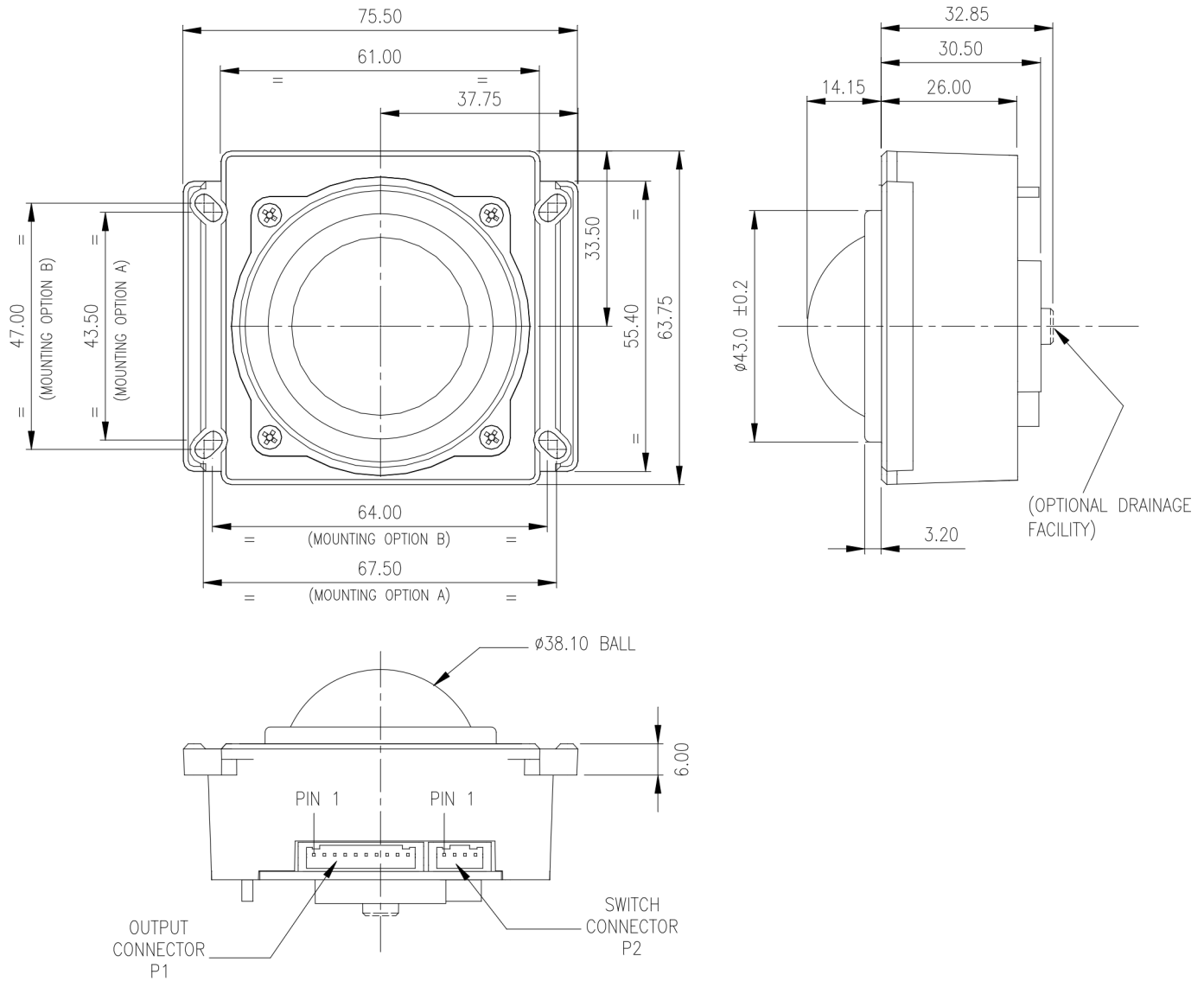


7. DIMENSION DRAWING

7.1 Dimensional drawing for no seal/scrapper seal trackball



NOTES:

1. MOUNTING OPTION A: 4 OFF HOLES $\phi 3.5$ THRO' PROVIDING CLEARANCE ON M3 NUT RUNNER (RECOMMENDED)
2. MOUNTING OPTION B (RETROFIT): 4 OFF HOLES $\phi 3.5$ THRO' REQUIRING 4 OFF M3 X 25MM SPACERS

All dimensions are in mm unless otherwise stated.

Tolerances +/- 0.2mm unless otherwise stated

Please note that an IGES model is available on request. Please contact your local sales office for more information.